

	Value	Unit
Maximum service temperature	900	°C
	1,652	°F
Bulk density	650	kg/m <sup>3</sup>
	41	lb/ft <sup>3</sup>
Cold crushing strength (EN ISO 8895)	2.5	MPa
	363	lb/in <sup>2</sup>
Linear reheat shrinkage (EN 1094-6) after 12 hours at 850°C (1,562°F)	1.0	%
Total porosity (EN 1094-4)	73	%
Creep in compression after 50 hours at 850°C (1,562°F), load 0.05 MPa (7.25lb/in <sup>2</sup> )	3	%
Coefficient of reversible thermal expansion at 20°C to 750°C (68°F to 1,382°F)	2.9	×10 <sup>-6</sup> K <sup>-1</sup>
	1.6	×10 <sup>-6</sup> °F <sup>-1</sup>
Resistance to thermal shock (EN 993-11)	> 30	Cycles

Thermal conductivity (ASTM C-182)	Mean temperature		
	200°C	0.13	W/(m×K)
	400°C	0.15	W/(m×K)
	600°C	0.17	W/(m×K)
	800°C	0.18	W/(m×K)
	392°F	0.90	BTU/(ft <sup>2</sup> ×h×°F/in)
	752°F	1.04	BTU/(ft <sup>2</sup> ×h×°F/in)
	1,112°F	1.18	BTU/(ft <sup>2</sup> ×h×°F/in)
	1,472°F	1.25	BTU/(ft <sup>2</sup> ×h×°F/in)

Chemical analysis			
Silica	SiO <sub>2</sub>	77	%
Titanium dioxide	TiO <sub>2</sub>	0.7	%
Ferric oxide	Fe <sub>2</sub> O <sub>3</sub>	7.0	%
Alumina	Al <sub>2</sub> O <sub>3</sub>	9.0	%
Magnesium oxide	MgO	1.3	%
Calcium oxide	CaO	0.8	%
Sodium oxide	Na <sub>2</sub> O	0.4	%
Potassium oxide	K <sub>2</sub> O	1.6	%
Sulphur trioxide	SO <sub>3</sub>	1.0	%
Loss on ignition at 1,025°C (1,877°F)	LOI	1.0	%

HS Tariff number (Harmonized Commodity Description and Coding System)	6901.00.00	
Colour	Red	

Data are average results of tests conducted under standard procedures and are subject to variation. Data contained in this data sheet are supplied in good faith as a technical service and are subject to change without notice. Misprint and errors excepted. Revision number: 7.12.2023

## Skamol Group

Hasselager Centervej 1, 8260 Viby, Denmark

Tel.: +45 97 72 15 33

[www.skamol.com](http://www.skamol.com)



Size	Length	Width	Thickness
Maximum	250mm	270mm	124mm
Minimum	According to your specification	According to your specification	76mm
Standard tolerances*	Up to $\pm 4.5$ mm	Up to $\pm 0.5$ mm	Up to $\pm 2.0$ mm
Machined tolerances*	Not relevant	Not relevant	Not relevant

\*Dimensional tolerances depend on length and width

## General information

Not all size combinations are available for ordering.  
Contact Skamol for the tolerance for a specific size.

## Standard sizes

Check your Skamol price list or contact Skamol with your request.

## Machining

Special shapes machined to customer specification can be supplied for specific design requirements.

## Packaging

Products will be packed according to the Skamol standard.



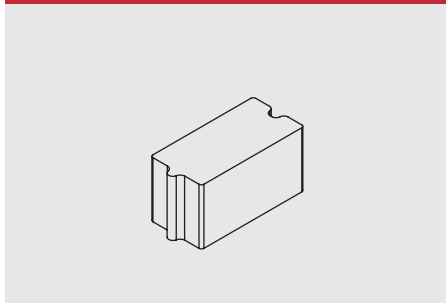
Data are average results of tests conducted under standard procedures and are subject to variation. Data contained in this data sheet are supplied in good faith as a technical service and are subject to change without notice. Misprint and errors excepted. Revision number: 7.12.2023

## Skamol Group

Hasselager Centervej 1, 8260 Viby, Denmark  
Tel.: +45 97 72 15 33

[www.skamol.com](http://www.skamol.com)

## Available shape



Data are average results of tests conducted under standard procedures and are subject to variation. Data contained in this data sheet are supplied in good faith as a technical service and are subject to change without notice. Misprint and errors excepted. Revision number: 7.12.2023